

# HOW TO INSTALL EZ-BAR

**1.** Attach **EZ BAR** the entire length of the **TOP** of the picture frame. **EZ BAR** is predrilled every 4" so you can simply screw the channel bar into the frame.

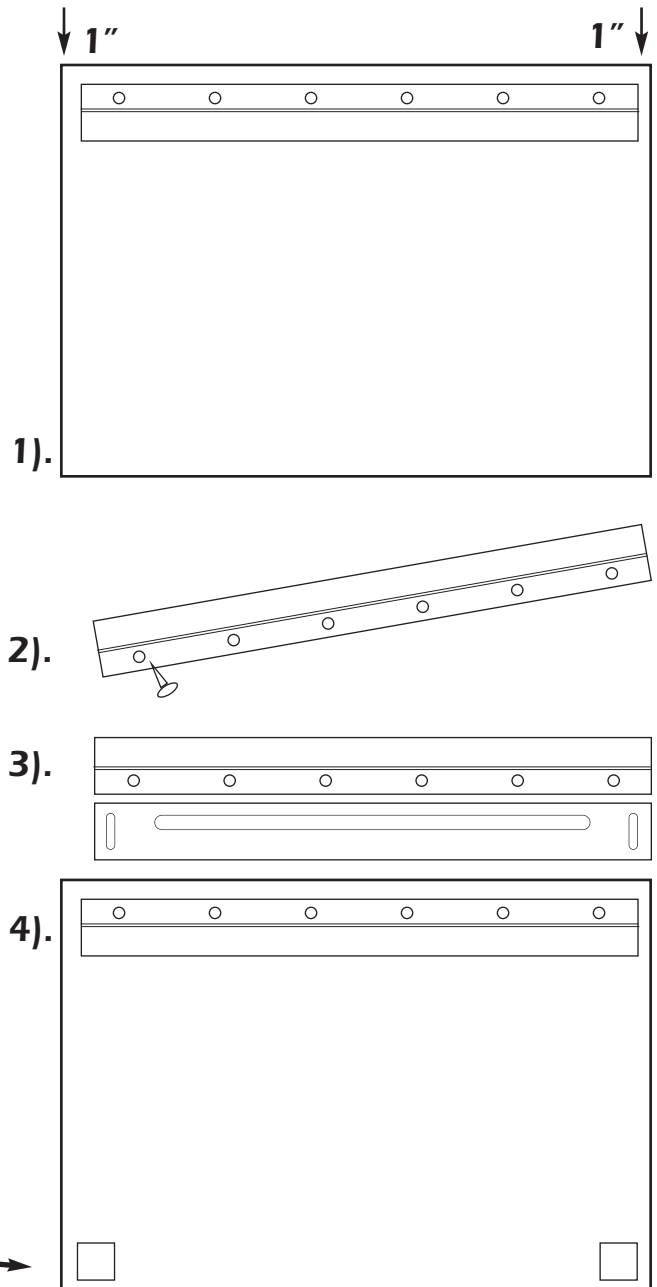
**2.** Determine placement on the wall. Screw one side of **EZ BAR** into the wall stud.

**3.** Using a level to align bar for placement on wall, then screw the other side of **EZ BAR** into the wall stud. Wall anchors can be used in place of stud placement on smaller items, and for additional support on the larger, heavier items. Finish by placing drywall screws in each hole for even additional support.

*(Remember...the integrity of the **EZ BAR** is only as strong as the integrity of the screws into the wall!)*

**4.** Hang the picture

*Suggestion: Two small tabs of velcro, each on the frame and the wall will secure your picture further.*



**Z-HARDWARE Co.**  
Specialty Hardware Supplies for the Art & Framing Industry

PO Box 1425  
Brownwood, TX 76804 U.S.A.  
Toll Free (800) 369-5970  
Fax (325) 646-1656 • [www.zhardware.com](http://www.zhardware.com)